

möbel

KITCHEN & BATH STYLISH CABINETRY

Cabinet Specifications & Price List 2025



mōbel

Cabinet Specifications & Price List 2025



Moisture Resistant Engineered Furniture Board

is designed specifically for cabinets and other furniture applications where exposure to moisture and humidity is possible. The moisture resistance properties are achieved thanks to its glue bonding agents, which also provide protection against common household termites.



Available Laminated Finishes:



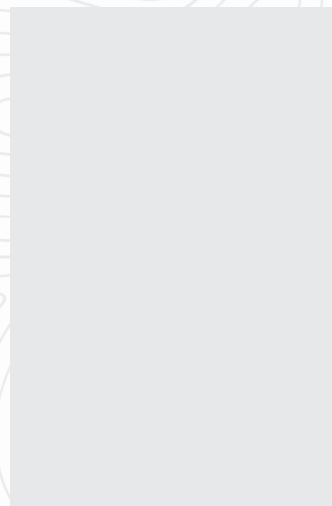
Ceniza



Rovere



Taupé



Blanco

General cabinet construction and hardware

Cabinet boxes are fully laminated inside and outside

Manufactured with 3/4" moisture resistant engineered furniture board, CARB2 certified

All board components are fully edge banded

Modern frameless design

No handles or knobs required. Wall cabinets include push-to-open mechanism and base cabinets design allow for finger pull operation of doors and drawers

Single door cabinets can be assembled to open to the right or left side

RTA format with fast and strong assembly hardware system

Concealed slow close hinge with full adjustment

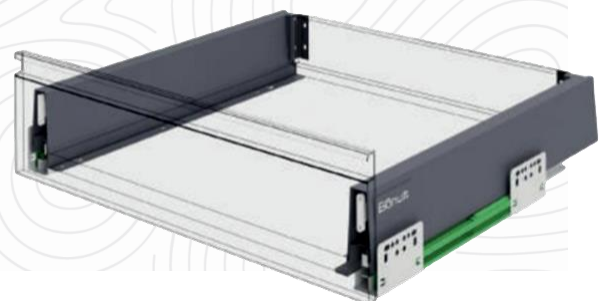
Premium soft close tandembox type drawer and slide system in modern dark gray finish

3/4" thick full depth adjustable shelves

Plastic leveling legs with toe kick clips on all base cabinets

Retail packing with full color label

Assembly instruction in English and Spanish included



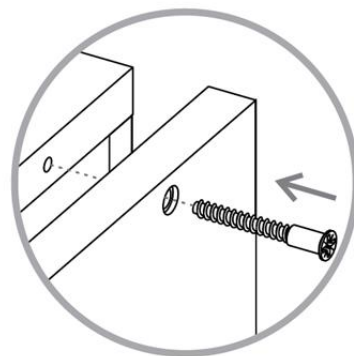
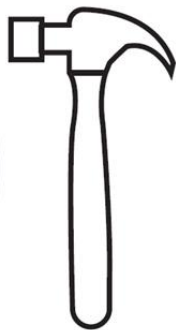
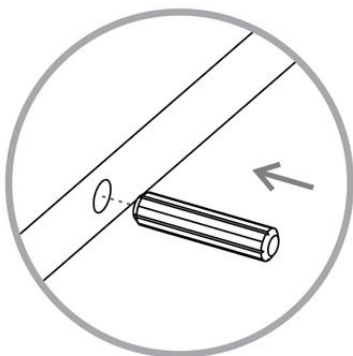
möbel

Cabinet Specifications & Price List 2025

All cabinets panels come pre-drilled to accept alignment-dowels that keep panels in place while installer insert and tightens confirmat screws in the provided holes. This assembly system provides a much stronger joint, when compared to other RTA assembly systems.



A small hammer and phillips screwdriver (or power drill) are the only tools required for assembly.



(or power drill)



möbel

Cabinet Specifications & Price List 2025

Simple step by step English and Spanish assembly instructions, along with all required hardware are included in every cabinet package.



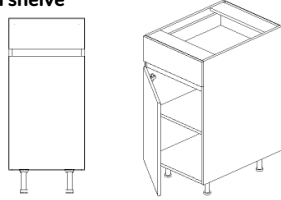
Each package is crafted to protect the product during transport while showcasing a professional, high-quality appearance that stands out. The vibrant, full-color labels feature clear product imagery, assembly highlights, and key specifications, making it easier for cabinet identification at a glance.



If you own 20-20 Design software (v9 and above), know that Möbel catalog library for 20-20 Design is available upon request.

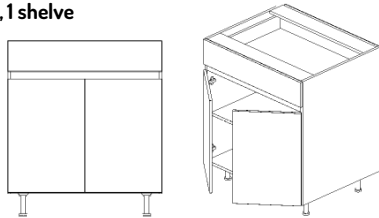
Base Cabinet - 1 door (rev L/R), 1 drawer, 1 shelf

34-1/2" H (adjustable)
24" D
Finger-Pull to open design



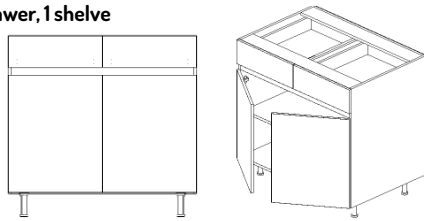
Base Cabinet - 2 doors, 1 drawer, 1 shelf

34-1/2" H (adjustable)
24" D
Finger-Pull to open design



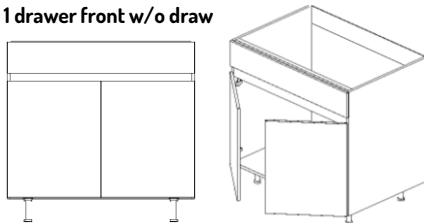
Base Cabinet - 2 doors, 2 drawer, 1 shelf

34-1/2" H (adjustable)
24" D
Finger-Pull to open design



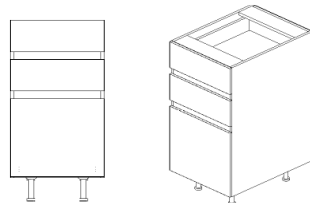
Sink Base Cabinet - 2 doors, 1 drawer front w/o draw

34-1/2" H (adjustable)
24" D
Finger-Pull to open design



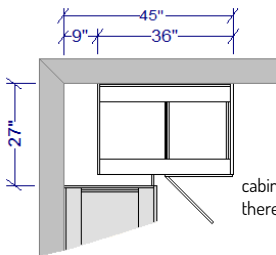
Drawer Base Cabinet - 3 drawers

34-1/2" H (adjustable)
24" D
Finger-Pull to open design

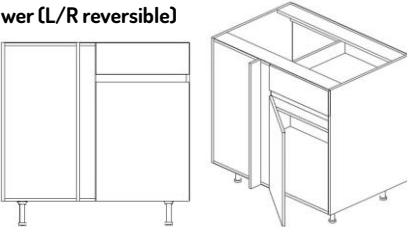


Base Blind Corner - 1 doors, 1 drawer (L/R reversible)

34-1/2" H (adjustable)
27" D when considering the filler
Finger-Pull to open design

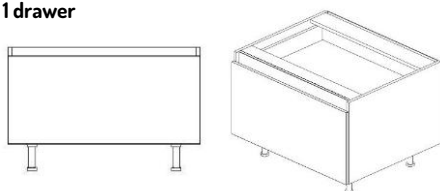


cabinet is 36" wide, but it is meant to be installed with a 9" pull, therefore it will take up 45" of wall space from the corner



Oven Drawer Base Cabinet - 1 drawer

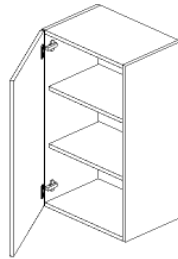
21" H (adjustable)
24" D
Finger-Pull to open design



Ref.	Price	Ceniza Part No.	Rovere Part No.	Taupé Part No.	Blanco Part No.
B12	280	12200	12300	12400	12600
B15	302	12201	12301	12401	12601
B18	324	12202	12302	12402	12602
B21	348	12240	12340	12440	12640
B24	368	12203	12303	12403	12603
B27	418	12261	12361	12461	12661
B30	466	12204	12304	12404	12604
B36	526	12205	12305	12405	12605
SB30	302	12206	12306	12406	12606
SB36	320	12207	12307	12407	12607
SB42	348	12262	12362	12462	12662
DB15-3	502	12208	12308	12408	12608
DB18-3	532	12209	12309	12409	12609
DB24-3	594	12263	12363	12463	12663
DB30-3	656	12210	12310	12410	12610
BBC45	460	12242	12342	12442	12642
ODB30-1	354	12245	12345	12445	12645

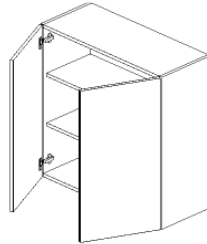
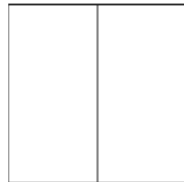
30" H Wall Cabinet - 1 door (rev L/R), 2 shelves

30" H, 12" D
Push-to-open device included



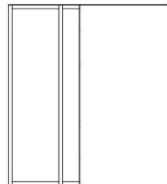
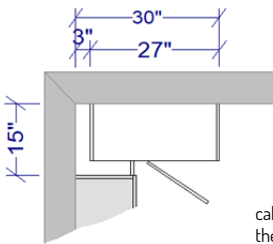
30" H Wall Cabinet - 2 doors, 2 shelves

30" H, 12" D
Push-to-open device included



Wall Blind Corner

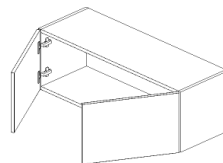
30" H, 15" D when considering the filler
Finger-Pull to open design



cabinet is 27" wide, but it is meant to be installed with a 3" pull, therefore it will take up 30" of wall space from the corner

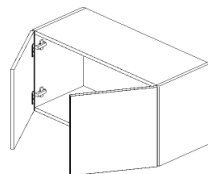
12" H Wall Bridge Cabinet - 2 doors

12" H, 12" D
Push-to-open device included



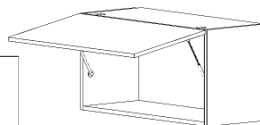
15" H Wall Bridge Cabinet - 2 doors

15" H, 12" D or 24" D
Push-to-open device included



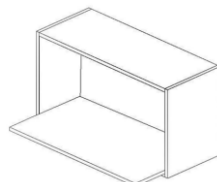
15" H Wall Bridge Flip-Up Door Cabinet - 1 Door

15" H, 12" D
Push-to-open and Lid Stay device included



15" H Wall Microwave Box - 1 shelf

15" H, 12" D
Shelf is 18" D



Ref.

Price

Ceniza
Part No.

Rovere
Part No.

Taupé
Part No.

Blanco
Part No.

W1230	154	12211	12311	12411	12611
W1530	168	12212	12312	12412	12612
W1830	184	12213	12313	12413	12613
W2130	200	12241	12341	12441	12641

W2430	230	12214	12314	12414	12614
W2730	248	12264	12364	12464	12664
W3030	264	12215	12315	12415	12615
W3630	298	12216	12316	12416	12616

WBC3030	248	12243	12343	12443	12643
---------	-----	-------	-------	-------	-------

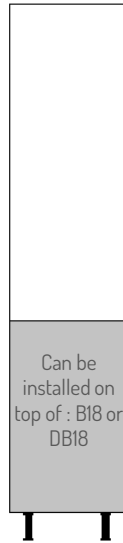
W3612	170	12217	12317	12417	12617
-------	-----	-------	-------	-------	-------

W3015	170	12218	12318	12418	12618
W301524	220	12249	12349	12449	12649

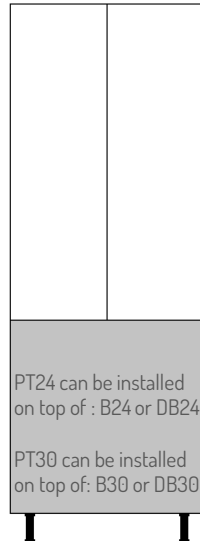
W3015FU	176	12219	12319	12419	12619
W3615FU	184	12220	12320	12420	12620

WMB3015	128	12221	12321	12421	12621
---------	-----	-------	-------	-------	-------

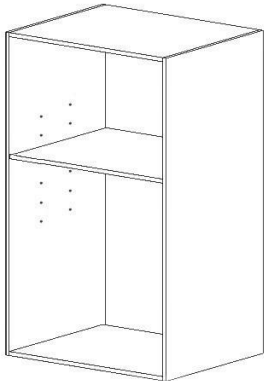
Pantry Top Cabinet - 1 door, 3 shelves
49.5" H, 24" D
Finger-Pull to open design



Pantry Top Cabinet - 2 doors, 3 shelves
49.5" H, 24" D
Finger-Pull to open design



Oven Cabinet - no doors, 1 shelf
48" H, 24" D
Used for installing wall ovens



Commonly installed on top of ODB30-1, and underneath W301524. Additional fillers will be required to provide proper finish front around the appliance's front fascia.

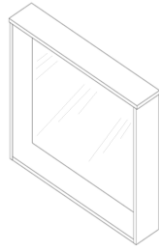
Ref. Price **Ceniza** **Rovere** **Taupé** **Blanco**
Part No. Part No. Part No. Part No.

PT18 352 12222 12322 12422 12622

PT24 484 12265 12365 12465 12665
PT30 504 12223 12323 12423 12623

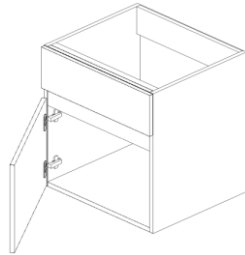
OC3048 314 12248 12348 12448 12648

Wall Mirror
23.25" H, 5.25" D



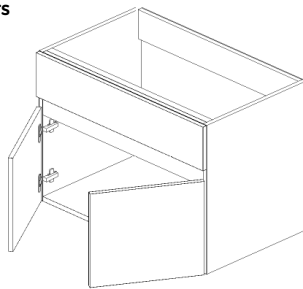
Ref.	Price	Ceniza Part No.	Rovere Part No.	Taupé Part No.	Blanco Part No.
MIR2123	154	12228	12328	12428	12628
MIR2423	164	12229	12329	12429	12629
MIR3023	182	12230	12330	12430	12630
MIR3623	198	12231	12331	12431	12631

Wall Hung Vanity Sink Base - 1 door
20.5" H, 17" D
Finger-Pull to open design



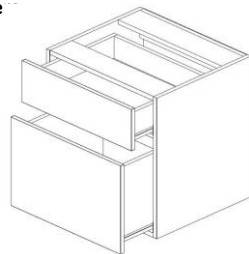
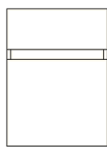
WVSB21-17D	142	12224	12324	12424	12624
------------	-----	-------	-------	-------	-------

Wall Hung Vanity Sink Base - 2 doors
20.5" H, 21" D
Finger-Pull to open design



WVSB24-21D	200	12255	12355	12455	12655
WVSB30-21D	224	12256	12356	12456	12656
WVSB36-21D	248	12257	12357	12457	12657

Wall Hung Vanity Drawer Base - 2 drawers
20.5" H, 21" D
Finger-Pull to open design



WVDB15-21D	286	12254	12354	12454	12654
------------	-----	-------	-------	-------	-------

Ceramic Vanity Lavatory Top
with overflow





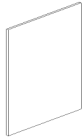





fit vanities 17" D

VT2118 WHT	80	02623
------------	----	-------

fit vanities 21" D

VT2422 WHT	150	02611
VT3022 WHT	192	02612
VT3622 WHT	240	02613



	Ref.	Price	Ceniza Part No.	Rovere Part No.	Taupé Part No.	Blanco Part No.
Wall End Panel 30" H, 12.75" D 	WEP	52	12232	12332	12432	12632
Base End Panel 34.5" H, 24.75" D 	BEP	84	12233	12333	12433	12633
Island End Panel 34.5" H available 25.25" D and 47.25" D 	IEP IEP48	86 110	12234 12247	12334 12347	12434 12447	12634 12647
Tall End Panel 84" H available 24.75" D and 30" D 	TEP TEP30	142 184	12235 12251	12335 12351	12435 12451	12635 12651
Vanity End Panel 20.5" H, 21.75" D 	VEP	66	12250	12350	12450	12650
Filler 6" W, 3/4" D available 30" H and 94"H 	F630 F694	42 68	12236 12237	12336 12337	12436 12437	12636 12637
Finish Back Panel 34.5" H, 94.5" W, 1/2" D Laminated on both sides Edge banded on all edges 	FBP34.5x94	210	12238	12338	12438	12638
Shelving Panel 94.5" W, 12.75" D 	SHV	106	12260	12360	12460	12660
Shelf Kit 9.84" D Includes 15mm shelf board, black aluminum anchoring profile and 2 plastic end caps. 	SK24	84	12239	12339	12439	12639
Edgebanding flexible edgebanding 22mm 100m/328 ft roll 	EBF22	86	12246	12346	12446	12646

mōbel Hardware and Accessories

	Ref.	Price	Part No.
PVC Brush Alum Toe Kick Profile 4.5" height x 118" long length trimmable	TKS10 ALUM TKS10 BLACK	50 50	12173 12177
PVC Toe Kick Outside Corner	TK-OC ALUM TK-OC BLACK	4 4	12174 12178
PVC Toe Kick Inside Corner	TK-IC ALUM TK-IC BLACK	5 5	12176 12180
PVC Toe Kick Joint Connector	TK-JC ALUM TK-JC BLACK	4 4	12175 12179
Sink Drip Tray fits SB36 Dark gray	D-TRAY	118	02900
Pullout Trash Bin 35-Quart Bottom Mount fits B15 and B18 Dark gray	T-BIN	118	01100
Magic Corner Pullout shelves for fits Base Blind Corner Cabinets Dark gray	MAGIC-CRN LEFT <i>hides to the left</i> MAGIC-CRN RIGHT <i>hides to the right</i>	490 490	12188 12189
Roll Out Tray Dark gray bottom panel	ROT15 ROT18 ROT24 ROT30 ROT36	116 120 126 134 144	12192 12193 12194 12195 12196

mōbel Hardware and Accessories

	Ref.	Price	Part No.
<p>Screwhead Cover for concealing concrete screw head Bag includes 50 pcs <i>Coming Soon!</i></p> 	SCVR GREY SCVR BONE		12190 12191
<p>Standard Hinge Pair Soft Close</p> 	HINGE	6	12181
<p>Tandembox Drawer Drawer side and Slide Kit</p> 	TBOX	68	12182
<p>Gallery Rail Kit for Tandembox</p> 	TBTRAIL	16	12183
<p>Pneumatic Lid Stay Kit for Flip-Up Doors</p> 	PLSK	16	12184
<p>Push-To-Open Mechanism for Cabinet Doors</p> 	PTOM	5	12185
<p>Plastic Leg for Base Cabinet with height adjustments from From 4.5" to 5"</p> 	PLBC	4	12186
<p>Plastic Leg Toe Kick Clip for attaching PVC Toe Kick profile to plastic cabinet leg</p> 	PLTKC	1	12187

LED Strip Undercabinet V-Lamp Alum Profile with Diffuser
78" long, trimmable



VL-LAMP

30

01640

LED Strip V-Lamp Mounting
Set of 4 clips and 4 screws



VL-CLIP

2

01644

LED Strip V-Lamp Corner End Caps
Set of 4 caps
2 with hole for cable
2 without hole



VL-CAPS

2

01645

LED Strip V-Lamp Inside Corner Connector
2 screws included



VL-CRNR

3

01646

LED Strip Light Tape - Trimmable
12V LED Strip Lights
16.4 Feet Roll, 300LEDs
4000K Natural White



LS-STRIP

50

01639

LED Strip Tape-to-Tape Jumper
Available in 6" and 60" length



LS-JUMP6
LS-JUMP60

4
5

01634
01647

LED Strip Tape-to-DC Connector
8" length



LS-PCONCT

6

01630

LED Strip Power Splitter Connector
12" length





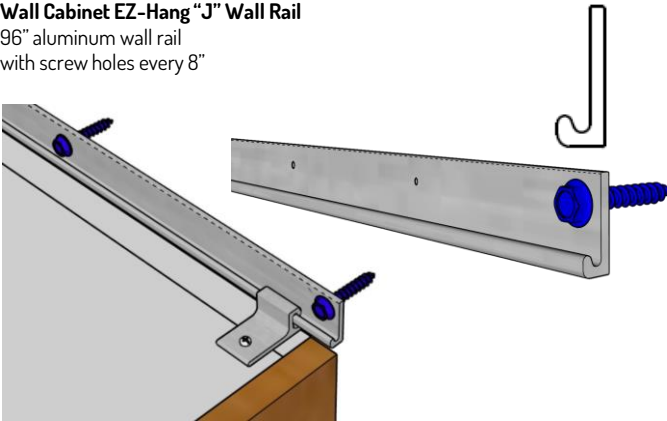
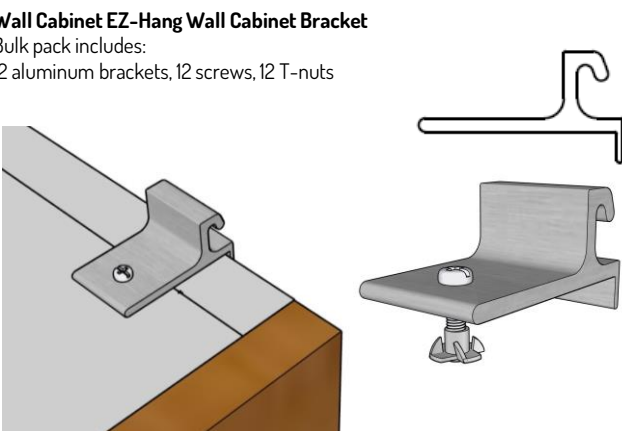


LS-PSPLIT

14

01633

mōbel Hardware and Accessories

	Ref.	Price	Part No.
<p>LED Strip Power Supply 12V-5A (60W) 60Watts, 120V AC to 12V DC Transformer Cable extends to 8ft for LED Strip Good for LED Strip Tape of up to 25 ft</p> 	LS-PSUP60	60	01632
<p>LED Strip Power Supply 12V-2A (24W) 24Watts, 120V AC to 12V DC Transformer Cable extends to 3.9ft for LED Strip Good for LED Strip Tape of up to 10 ft</p> 	LS-PSUP24	40	01638
<p>LED Strip Soft-Touch Undercabinet Switch DC 12V 2A Touch ON/OFF Switch Blue illuminated pilot light</p> 	LS-TSWITCH	20	01642
<p>LED Strip Remote Control Wireless Kit for LED Strip Lights 12-Key Wireless Dimmer with Dynamic Effect Mode and PWM Dimming Control</p> 	LS-REMOTE	50	01636
<p>Wall Cabinet EZ-Hang "J" Wall Rail 96" aluminum wall rail with screw holes every 8"</p> 	EZH-RAIL	50	04861
<p>Wall Cabinet EZ-Hang Wall Cabinet Bracket Bulk pack includes: 12 aluminum brackets, 12 screws, 12 T-nuts</p> 	EZH-BRCKT	50	04860

mōbel Countertops and Accessories

Kitchen Countertop Slab

94 1/2" L x 25-1/2" D x 1" W

Laminated kitchen countertop, trimmable.

One set includes:

- 1 laminated countertop with all sides edge banded
- 1 laminated backsplash molding with all sides edge banded
- 2 extra countertop short side edge bandings
- 2 extra backsplash short sides edge bandings



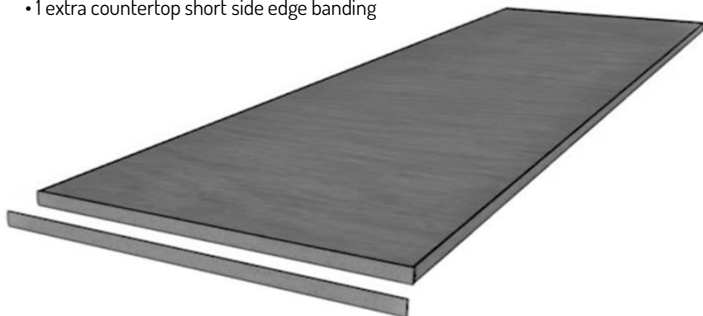
Island Countertop Slab

94 1/2" L x 39-3/8" D x 1" W

Laminated kitchen countertop, trimmable.

One set includes:

- 1 laminated countertop with all sides edge banded
- 1 extra countertop short side edge banding



Ref.

Price

Part No.

CT-TOP ONYX

238

12501

CT-TOP IBIZA

238

12502

IT-TOP ONYX

254

12504

IT-TOP IBIZA

254

12503



mōbel

www.mobelcabinetry.com

MOBEL furniture has a 1 year warranty coverage in wooden parts and hardware components from end consumer purchasing date, with proof of purchase from Mobel authorized dealer.

Warranty covers materials and workmanship imperfections which impair the assembly or correct functioning of the cabinet.

This warranty is not valid if the defects or imperfections are caused by the incorrect following of the assembly instructions, warnings and recommendations, misuse, intentional damage, fire or flood, or after modifications or any kind of alteration, or repaired by someone not authorized, when it's been assembled 3 months after the date of purchase. These defects MUST be reported before the warranty coverage period ends. Once the product has been assembled, the company will not be responsible for defective and/or damaged parts.

This warranty is ONLY valid for the ORIGINAL PURCHASER, it doesn't apply if the product has been resold, rented, etc.

Furniture will take no liability for incidental or consequential damages caused to or by the product (This may not apply in your state).

To make this warranty valid you must write to our customer service email describing the product defect, lot number and submitting your sales receipt or proof of purchase or contact us at our customer service line. Replaced parts will be under the product's original warranty coverage period.

Damaged parts will become property of the company.

There are no other warranties applicable to this product.

MOBEL is a trademark of EST Hardware • 787-787-1808 • mobel@esthardware.com