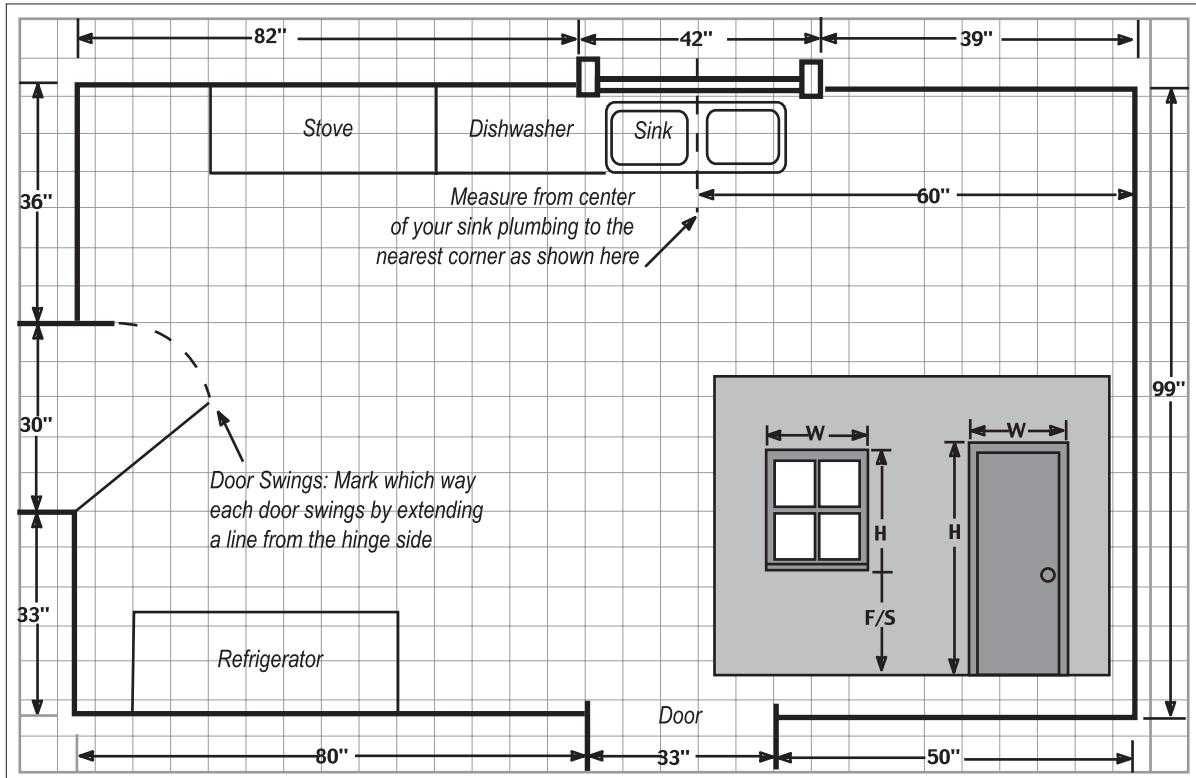


Kitchen Planner



Start by measuring your kitchen: no two kitchens are the same. Our Kitchen cabinet representatives are experts in design, and need exact dimensions to customize a new kitchen for you. Create a rough drawing of your kitchen following the measuring guidelines, using the grid in the front side.

Step 1: Measure the sink wall first. Start in the corner. Measure in inches. If there are windows in this wall, measure to the edge of the window trim.

Step 2: Continue to measure the window. Mark the width from outside of trim to outside of trim. Mark locations of appliances, outlets and light switches.

Step 3: Working clockwise, record all measurements of the room, noting any "breaks" like doors, offsets, etc.

Planning Details

- This plan is for:
 - Remodeling New Home
- If you are remodeling, are you adding:
 - New soffit (refer to picture A)
 - New wall (s)
 - New window (s)
 - New doorway (s)
- Kitchen table normally seats _____ persons
- Dimensions of existing table are _____" wide by _____" long; or round _____" in diameter

- What kind of countertop are you considering
 - Plastic laminated Natural granite
 - Tile Engineered solid surface
- Will your appliances be: Existing One New Do Not Apply

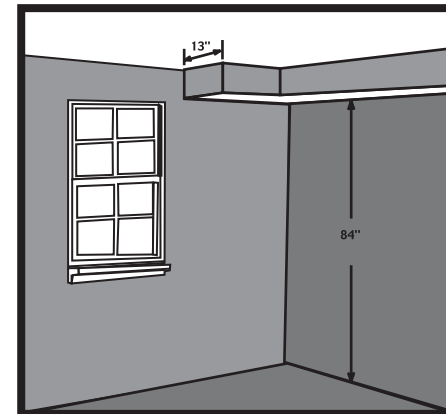
Range	_____	_____	_____
Built-in Oven	_____	_____	_____
Microwave	_____	_____	_____
Cooktop	_____	_____	_____
Hood Unit	_____	_____	_____
Refrigerator	_____	_____	_____
Sink	_____	_____	_____
Dishwasher	_____	_____	_____
Trash Compactor	_____	_____	_____

Please note the measurement of the appliances that will be used in the new kitchen

Appliance Planner

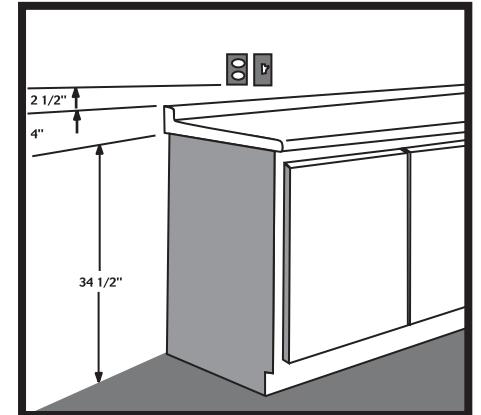
RANGE	HIGH	WIDE	DEEP	REFRIGERATOR:	HIGH	WIDE	DEEP
Free- Standing range	—	—	—	Over/under unit	—	—	—
Two -level double	—	—	—	Under/over unit	—	—	—
BUILT-IN	HIGH	WIDE	DEEP	Side by side	—	—	—
Built-in single oven	—	—	—	Full door	—	—	—
Built-in double ovens	—	—	—	Wine cooler	—	—	—
MICROWAVE	HIGH	WIDE	DEEP	SINK:	HIGH	WIDE	DEEP
Microwave shelf/hood	—	—	—	Single bowl	—	—	—
Free-standing microwave	—	—	—	Double bowl	—	—	—
Spacemaker/Spacemaker	—	—	—	Triple bowl	—	—	—
				L-Shape corner sink	—	—	—
COOKTOP	HIGH	WIDE	DEEP	DISHWASHER:	HIGH	WIDE	DEEP
Down-draft cook top	—	—	—	Dishwasher	—	—	—
Built-in cook top	—	—	—				
HOOD UNITS:	HIGH	WIDE	DEEP	COMPACTOR	HIGH	WIDE	DEEP
Ductless hood	—	—	—	Trash	—	—	—
Hood ducted to	—	—	—				

Picture A



Soffits A soffit is the bulkhead between the ceiling and the top of the cabinets. Distance from floor to soffit should be at least 84". Allow 1/4" more if you install an 84" tall cabinet. Depth may vary. Normal is 13"-1" deeper than a wall cabinet.

Important Note



Base Clearance: You need 41" below windows and electrical wall outlets to fit in new base cabinets and a counter top with backsplash. This leaves 2 1/2" of clearance above the counter top.

Always consult your designer when planning your kitchen

möbel