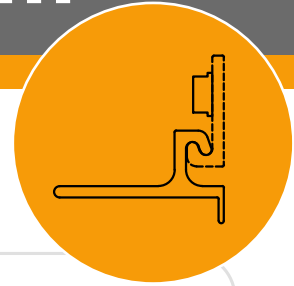


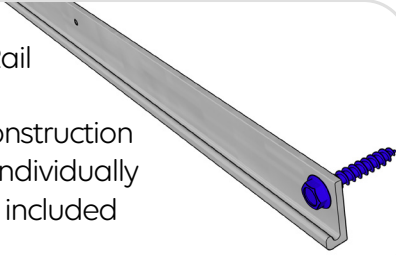
Ez-Hang Wall Kitchen Cabinet Hanging System

Simple, fast, strong!



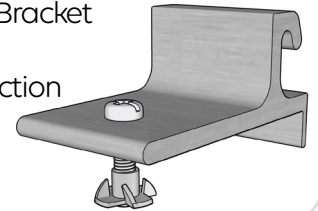
EZ-Hang J Wall Rail

- Strong aluminum construction
- Rail is 96" long, sold individually
- Concrete screws not included



EZ-Hang Wall Cabinet Bracket

- Strong aluminum construction
- Box includes 12 brackets, 12 screws, 12 T-nuts



Step 1:

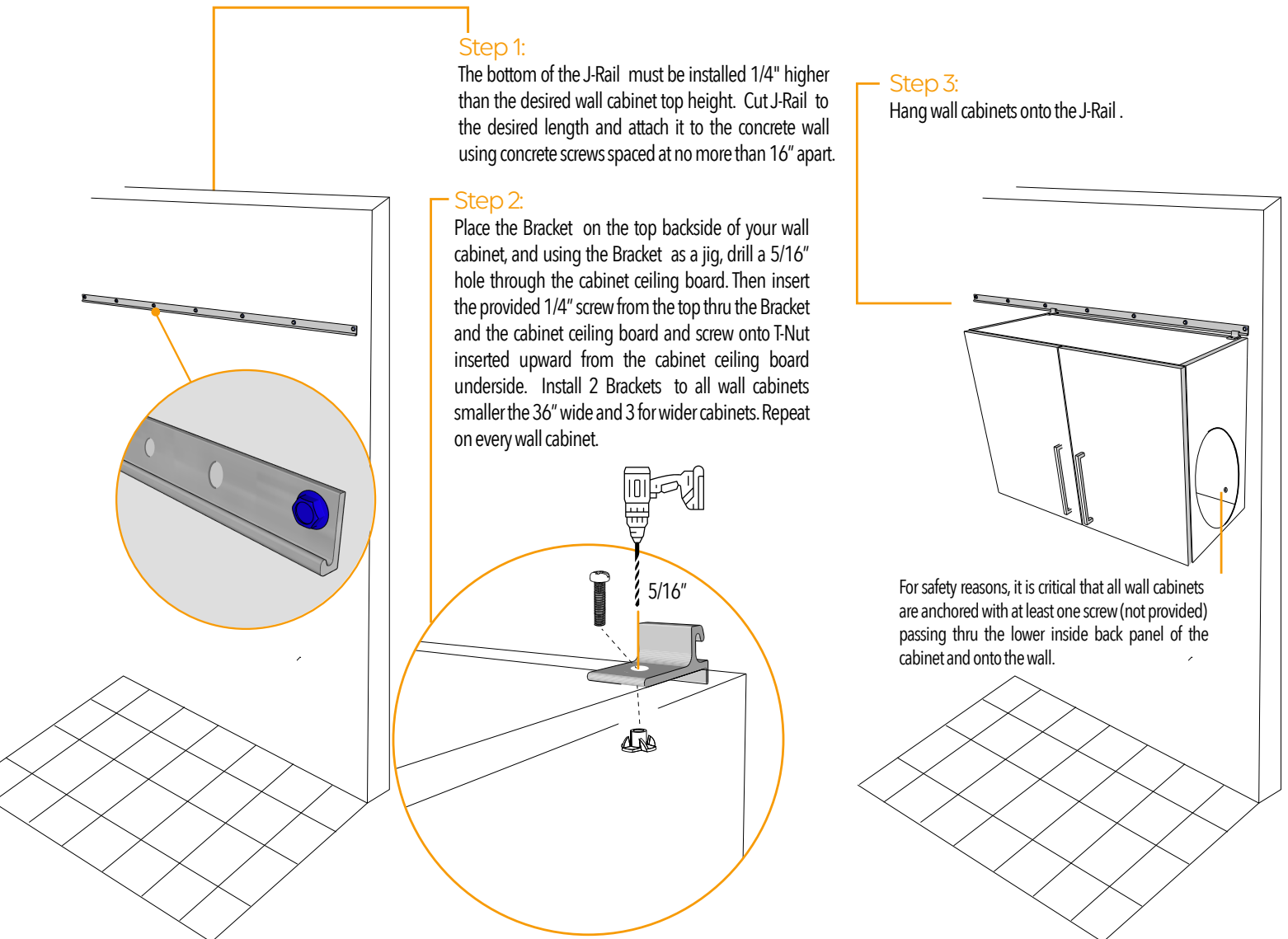
The bottom of the J-Rail must be installed 1/4" higher than the desired wall cabinet top height. Cut J-Rail to the desired length and attach it to the concrete wall using concrete screws spaced at no more than 16" apart.

Step 2:

Place the Bracket on the top backside of your wall cabinet, and using the Bracket as a jig, drill a 5/16" hole through the cabinet ceiling board. Then insert the provided 1/4" screw from the top thru the Bracket and the cabinet ceiling board and screw onto T-Nut inserted upward from the cabinet ceiling board underside. Install 2 Brackets to all wall cabinets smaller the 36" wide and 3 for wider cabinets. Repeat on every wall cabinet.

Step 3:

Hang wall cabinets onto the J-Rail.



For safety reasons, it is critical that all wall cabinets are anchored with at least one screw (not provided) passing thru the lower inside back panel of the cabinet and onto the wall.

