

Cabinet Specifications & Price List 2023



mōbel

www.mobelcabinetry.com

10.26.23

General cabinet construction and hardware

Cabinet boxes are fully laminated inside and outside

Manufactured with 3/4" moisture resistant engineered furniture board, CARB2 certified

All board components are fully edge banded

Modern frameless design

No handles or knobs required. Wall cabinets include push-to-open mechanism and base cabinets design allow for finger pull operation of doors and drawers

Single door cabinets can be assembled to open to the right or left side

RTA format with fast and strong assembly hardware system

Concealed slow close hinge with full adjustment

Premium soft close tandembox type drawer and slide system

3/4" thick full depth adjustable shelves

Plastic leveling legs with toe kick clips on all base cabinets





Moisture Resistant Engineered Furniture Board

is designed specifically for cabinets and other furniture applications where exposure to moisture and humidity is possible. The moisture resistance properties are achieved thanks to its glue bonding agents, which also provide protection against common household termites.

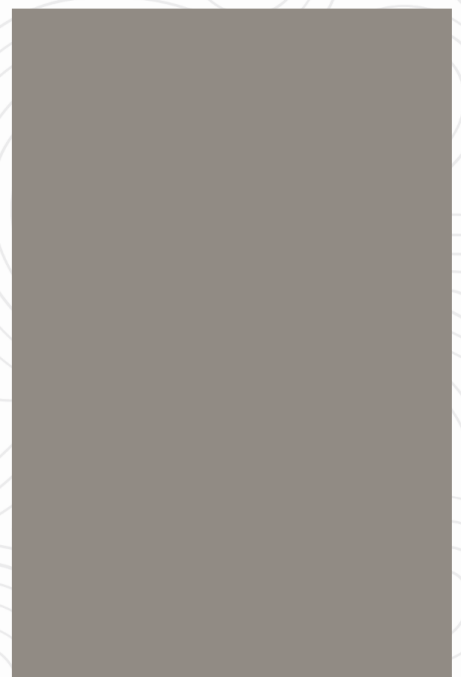
Available Laminated Finishes:



Ceniza



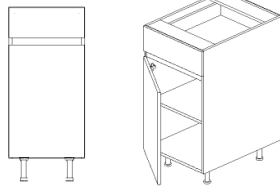
Rovere



Taupé

Base Cabinet - 1 door (rev L/R), 1 drawer, 1 shelf

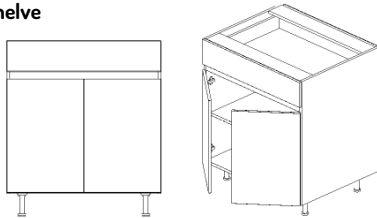
34-1/2" H (adjustable)
24" D
Finger-Pull to open design



B12	280	12200	12300	12400
B15	302	12201	12301	12401
B18	324	12202	12302	12402
B21	348	12240	12340	12440

Base Cabinet - 2 doors, 1 drawer, 1 shelf

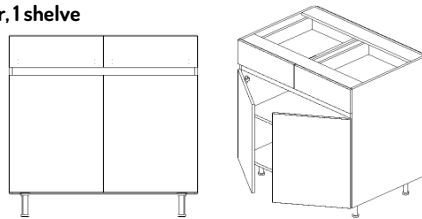
34-1/2" H (adjustable)
24" D
Finger-Pull to open design



B24	368	12203	12303	12403
B30	466	12204	12304	12404

Base Cabinet - 2 doors, 2 drawer, 1 shelf

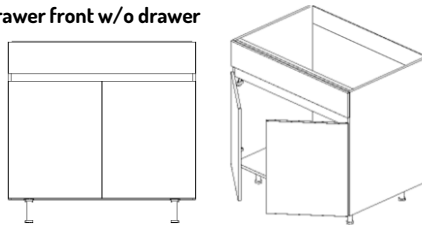
34-1/2" H (adjustable)
24" D
Finger-Pull to open design



B36	526	12205	12305	12405
-----	-----	-------	-------	-------

Sink Base Cabinet - 2 doors, 1 drawer front w/o drawer

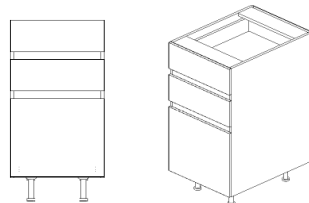
34-1/2" H (adjustable)
24" D
Finger-Pull to open design



SB30	302	12206	12306	12406
SB36	320	12207	12307	12407

Drawer Base Cabinet - 3 drawers

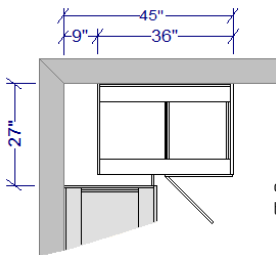
34-1/2" H (adjustable)
24" D
Finger-Pull to open design



DB15-3	502	12208	12308	12408
DB18-3	532	12209	12309	12409
DB30-3	656	12210	12310	12410

Base Blind Corner - 1 doors, 1 drawer (L/R reversible)

34-1/2" H (adjustable)
27" D when considering the filler
Finger-Pull to open design



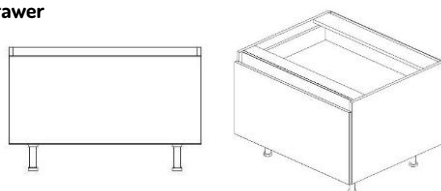
cabinet is 36" wide, but it is meant to be installed with a 9" pull, therefore it will take up 45" of wall space from the corner



BBC45	460	12242	12342	12442
-------	-----	-------	-------	-------

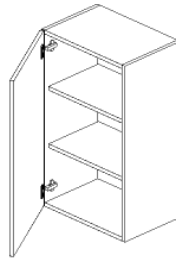
Oven Drawer Base Cabinet - 1 drawer

21" H (adjustable)
24" D
Finger-Pull to open design



ODB30-1	354	12245	12345	12445
---------	-----	-------	-------	-------

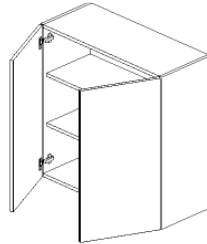
30"H Wall Cabinet - 1 door (rev L/R), 2 shelves
30" H, 12" D
Push-to-open device included



Ref. Price
W1230 154
W1530 168
W1830 184
W2130 200

Ceniza Part No.	Rovere Part No.	Taupé Part No.
12211	12311	12411
12212	12312	12412
12213	12313	12413
12241	12341	12441

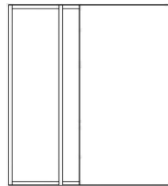
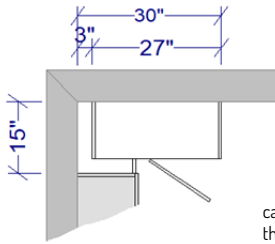
30"H Wall Cabinet - 2 doors, 2 shelves
30" H, 12" D
Push-to-open device included



W2430 230
W3030 264
W3630 298

12214	12314	12414
12215	12315	12415
12216	12316	12416

Wall Blind Corner
30" H, 15" D when considering the filler
Finger-Pull to open design

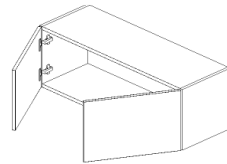


cabinet is 27" wide, but it is meant to be installed with a 3" pull, therefore it will take up 30" of wall space from the corner

WBC3030 248

12243	12343	12443
-------	-------	-------

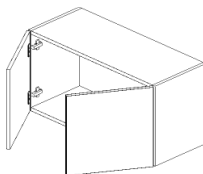
12"H Wall Bridge Cabinet - 2 doors
12" H, 12" D
Push-to-open device included



W3612 170

12217	12317	12417
-------	-------	-------

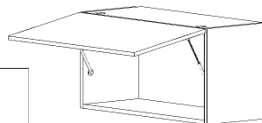
15"H Wall Bridge Cabinet - 2 doors
15" H, 12" D or 24" D
Push-to-open device included



W3015 170
W301524 220

12218	12318	12418
12249	12349	12449

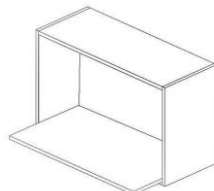
15"H Wall Bridge Flip-Up Door Cabinet - 1 Door
15" H, 12" D
Push-to-open and Lid Stay device included



W3015FU 176
W3615FU 184

12219	12319	12419
12220	12320	12420

18"H Wall Microwave Box - 1 shelf
18" H, 12" D
Shelf is 18" D



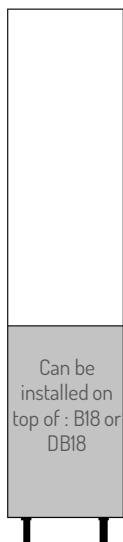
WMB3018 128

12221	12321	12421
-------	-------	-------

Pantry Top Cabinet - 1 door, 3 shelves

49.5" H, 24" D

Finger-Pull to open design



Ref. **PT18**

Price **352**

Ceniza
Part No.

12222

Rovere
Part No.

12322

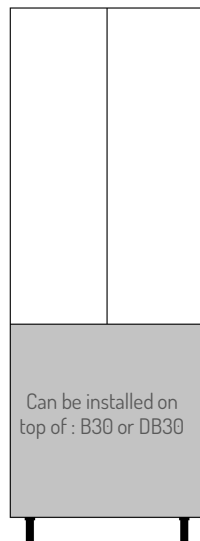
Taupé
Part No.

12422

Pantry Top Cabinet - 2 doors, 3 shelves

49.5" H, 24" D

Finger-Pull to open design



Ref. **PT30**

Price **504**

12223

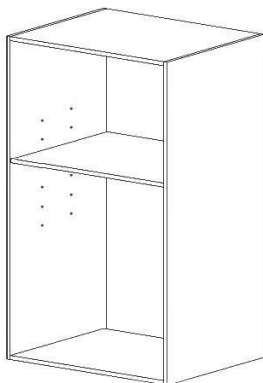
12323

12423

Oven Cabinet - no doors, 1 shelf

48" H, 24" D

Used for installing wall ovens



Ref. **OC3048**

Price **314**

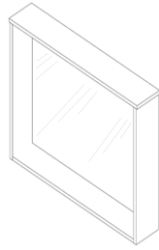
12248

12348

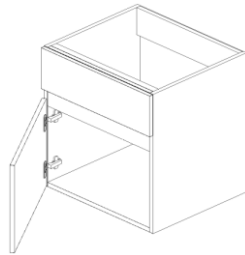
12448

Commonly installed on top of ODB30-1, and underneath W301524. Additional fillers will be required to provide proper finish front around the appliance's front fascia.

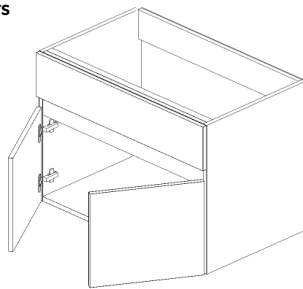
Wall Mirror
23.25" H, 5.25" D



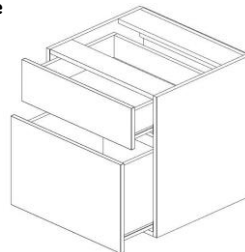
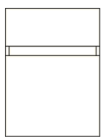
Wall Hung Vanity Sink Base - 2 doors
20.5" H, 18" D
Finger-Pull to open design



Wall Hung Vanity Sink Base - 2 doors
20.5" H, 17" D or 21" D
Finger-Pull to open design



Wall Hung Vanity Drawer Base - 2 drawe
20.5" H, 17" D or 21" D
Finger-Pull to open design












Ceramic Vanity Lavatory Top
with overflow

fit vanities 17" D



fit vanities 21" D

Ref.	Price	Ceniza Part No.	Rovere Part No.	Taupé Part No.
MIR2123	154	12228	12328	12428
MIR2423	164	12229	12329	12429
MIR3023	182	12230	12330	12430
MIR3623	198	12231	12331	12431
WVSB2117D	142	12224	12324	12424
WVSB2417D	182	12225	12325	12425
WVSB3017D	206	12226	12326	12426
WVSB3617D	230	12227	12327	12427
WVSB2421D	200	12255	12355	12455
WVSB3021D	224	12256	12356	12456
WVSB3621D	248	12257	12357	12457
WVDB1517D	268	12244	12344	12444
WVDB1521D	286	12254	12354	12454
VT2118 WHT	80		02623	
VT2418 WHT	96		02614	
VT3018 WHT	120		02615	
VT3618 WHT	144		02616	
VT2118 BLK	140		02624	
VT2418 BLK	180		02617	
VT3018 BLK	210		02618	
VT3618 BLK	240		02619	
VT2422 WHT	150		02611	
VT3022 WHT	192		02612	
VT3622 WHT	240		02613	

	Ref.	Price	Ceniza Part No.	Rovere Part No.	Taupé Part No.
Wall End Panel 30" H, 12.75" D 	WEP	52	12232	12332	12432
Base End Panel 34.5" H, 24.75" D 	BEP	84	12233	12333	12433
Island End Panel 34.5" H available 25.25" D and 47.25" D 	IEP IEP48	86 110	12234 12247	12334 12347	12434 12447
Tall End Panel 84" H available 24.75" D and 30" D 	TEP TEP30	142 184	12235 12251	12335 12351	12435 12451
Vanity End Panel 20.5" H, 21.75" D 	VEP	58	12250	12350	12450
Filler 6" W, 3/4" D available 30" H and 94"H 	F630 F694	42 68	12236 12237	12336 12337	12436 12437
Finish Back Panel 34.5" H, 94.5" W, 1/2" D Laminated on both sides Edge banded on all edges 	FBP34.5X94	210	12238	12338	12438
Shelf Kit 9.84" D Includes 15mm shelf board, black aluminum anchoring profile and 2 plastic end caps. 	SK24	84	12239	12339	12439
Edgebanding flexible edgebanding 22mm 100m/328 ft roll 	EBF22	86	12246	12346	12446

mōbel Hardware and Accessories

	Ref.	Price	Part No.
PVC Brush Alum Toe Kick Profile 4.5" height x 118" long length trimmable	TKS10 ALUM TKS10 BLACK	50 50	12173 12177
PVC Toe Kick Outside Corner	TK-OC ALUM TK-OC BLACK	4 4	12174 12178
PVC Toe Kick Inside Corner	TK-IC ALUM TK-IC BLACK	5 5	12176 12180
PVC Toe Kick Joint Connector	TK-JC ALUM TK-JC BLACK	4 4	12175 12179
Sink Drip Tray fits SB36 Dark gray	D-TRAY	118	02900
Pullout Trash Bin 35-Quart Bottom Mount fits B15 and B18 Dark gray	T-BIN	118	01100
Magic Corner Pullout shelves for fits Base Blind Corner Cabinets Dark gray	MAGIC-CRN LEFT <i>hides to the left</i> MAGIC-CRN RIGHT <i>hides to the right</i>	490 490	12188 12189
Roll Out Tray Dark gray bottom panel	ROT15 ROT18 ROT24 ROT30 ROT36	116 120 126 134 144	12192 12193 12194 12195 12196

mōbel Hardware and Accessories

Ref.

Price

Part No.

Screwhead Cover
for concealing concrete screw head
Bag includes 50 pcs



SCVR GREY
SCVR BONE

Coming Soon!
Coming Soon!

12190
12191

Standard Hinge Pair
Soft Close



HINGE

6

12181

Tandembox Drawer
Drawer side and Slide Kit



TBOX

68

12182

Gallery Rail Kit
for Tandembox



TBRAIL

16

12183

Pneumatic Lid Stay Kit
for Flip-Up Doors



PLSK

16

12184

Push-To-Open Mechanism
for Cabinet Doors



PTOM

5

12185

Plastic Leg for Base Cabinet
with height adjustments from
From 4.5" to 5"



PLBC

4

12186

Plastic Leg Toe Kick Clip
for attaching PVC Toe Kick
profile to plastic cabinet leg



PLTKC

1

12187

mōbel Hardware and Accessories

LED Strip Undercabinet V-Lamp Alum Profile with Diffuser

78" long, trimmable



Ref. **VL-LAMP**

Price

30

Part No.

01640

LED Strip V-Lamp Mounting

Set of 4 clips and 4 screws



Ref. **VL-CLIP**

2

01644

LED Strip V-Lamp Corner End Caps

Set of 4 caps
2 with hole for cable
2 without hole



Ref. **VL-CAPS**

2

01645

LED Strip V-Lamp Inside Corner Connector

2 screws included



Ref. **VL-CRNR**

3

01646

LED Strip Light Tape - Trimmable

12V LED Strip Lights
16.4 Feet Roll, 300LEDs
4000K Natural White



Ref. **LS-STRIP**

50

01639

LED Strip Tape-to-Tape Jumper

Available in 6" and 60" length



Ref. **LS-JUMP6**

4

01634

Ref. **LS-JUMP60**

5

01647

LED Strip Tape-to-DC Connector

8" length



Ref. **LS-PCONCT**

6

01630

LED Strip Power Splitter Connector

12" length





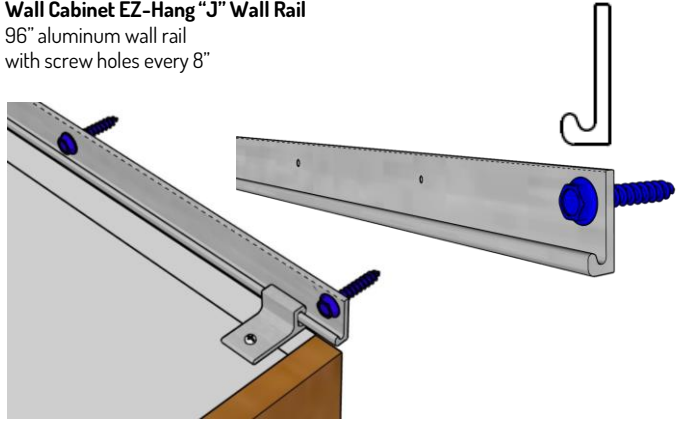
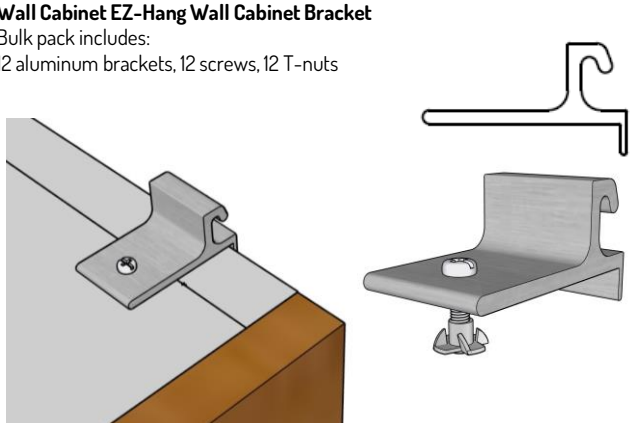


Ref. **LS-PSPLIT**

14

01633

mōbel Hardware and Accessories

	Ref.	Price	Part No.
<p>LED Strip Power Supply 12V-5A (60W) 60Watts, 120V AC to 12V DC Transformer Cable extends to 8ft for LED Strip Good for LED Strip Tape of up to 25 ft</p> 	LS-PSUP60	60	01632
<p>LED Strip Power Supply 12V-2A (24W) 24Watts, 120V AC to 12V DC Transformer Cable extends to 3.9ft for LED Strip Good for LED Strip Tape of up to 10 ft</p> 	LS-PSUP24	40	01638
<p>LED Strip Soft-Touch Undercabinet Switch DC 12V 2A Touch ON/OFF Switch Blue illuminated pilot light</p> 	LS-TSWITCH	20	01642
<p>LED Strip Remote Control Wireless Kit for LED Strip Lights 12-Key Wireless Dimmer with Dynamic Effect Mode and PWM Dimming Control</p> 	LS-REMOTE	50	01636
<p>Wall Cabinet EZ-Hang "J" Wall Rail 96" aluminum wall rail with screw holes every 8"</p> 	EZH-RAIL	50	04861
<p>Wall Cabinet EZ-Hang Wall Cabinet Bracket Bulk pack includes: 12 aluminum brackets, 12 screws, 12 T-nuts</p> 	EZH-BRCKT	50	04860

mōbel Countertops and Accessories

Ref.

Price

Part No.

Countertop Slab

96" L x 25-1/2" D x 1" W

Laminated kitchen countertop, trimmable.

One set includes:

- 1 laminated countertop with all sides edge banded
- 1 laminated backsplash molding with all sides edge banded
- 2 extra countertop short side edge bandings
- 2 extra backsplash short sides edge bandings

Coming Soon!



CT-TOP ONYX

238

12501

CT-TOP IBIZA

238

12502

ZIPBOLT Connectors and Biscuits kit

Kit Includes:

- 3 ZIPBOLT CONNECTORS
- 3 ZIPCLIPS
- 3 #20 biscuit joiners
- a 4mm Hex bit

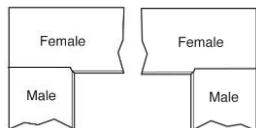


CT-CONNECTORS

Kitchen Worktop Jig

For elaborating euro corner joints

Includes carry bag



CT-JIG

Kitchen Worktop Jig Offset Scriber

To be used with Kitchen Worktop Jig



CT-SCRIBER

Guide Bush for Router

To be used with Kitchen Worktop Jig



CT-RGUIDE

Straight Two Flute Router Bit

To be used with Kitchen Worktop Jig

For cutting euro corners joints and carving dog-bone for ZIPBOLT Connectors



CT-RFLUTEBIT

Biscuit Joiner Router Bit

For carving biscuit joiner holes into worktop joint sides



CT-RBISCBIT



mōbel

www.mobelcabinetry.com

MOBEL furniture has a 1 year warranty coverage in wooden parts and hardware components from end consumer purchasing date, with proof of purchase from Mobel authorized dealer.

Warranty covers materials and workmanship imperfections which impair the assembly or correct functioning of the cabinet.

This warranty is not valid if the defects or imperfections are caused by the incorrect following of the assembly instructions, warnings and recommendations, misuse, intentional damage, fire or flood, or after modifications or any kind of alteration, or repaired by someone not authorized, when it's been assembled 3 months after the date of purchase. These defects MUST be reported before the warranty coverage period ends. Once the product has been assembled, the company will not be responsible for defective and/or damaged parts.

This warranty is ONLY valid for the ORIGINAL PURCHASER, it doesn't apply if the product has been resold, rented, etc.

Furniture will take no liability for incidental or consequential damages caused to or by the product (This may not apply in your state).

To make this warranty valid you must write to our customer service email describing the product defect, lot number and submitting your sales receipt or proof of purchase or contact us at our customer service line. Replaced parts will be under the product's original warranty coverage period.

Damaged parts will become property of the company.

There are no other warranties applicable to this product.

MOBEL is a trademark of EST Hardware • 787-787-1808 • mobel@esthardware.com